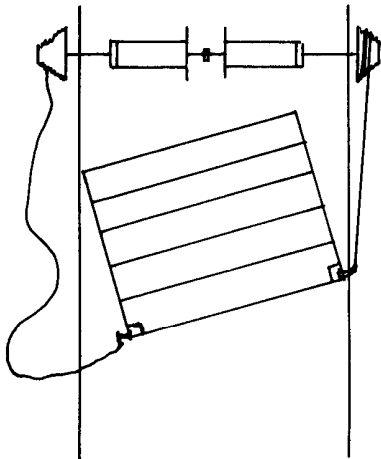


**DDM ENTERPRISES
OVERHEAD DOOR REPAIRS**

CABLE REINSTALLATION 2

Copyright, 1984



1 **GATHER TOOLS**

Winding bars
Vise grips (10) or
fork lift
Safety glasses

3a **DANGER!**

Determine what is supporting the door.

IMPORTANT

These are general guidelines and specific details may differ in the repair of your doors. You are responsible for working safely, and you assume all risk involved in installing or repairing the door and operator equipment. DDM Enterprises disclaims all liability regarding installation or repair of the equipment. These instructions do not create a warranty for either parts or instructions.

2

Turn
off
Power

Check cable on high side.
If taut & properly on drums, the spring & cable is supporting door.

3b

If both cables are loose or off drums, BEWARE. Support door immediately with vise grips or fork lift. It may be hanging precariously.

See steps 20 - 29 if both cables are off drums.

4

Close the door if it can be done without damaging the tracks. If it can't be closed, see steps 15 - 19.

5

Vise-grip taut cable

6

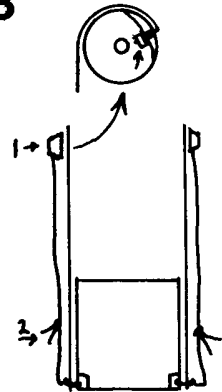
Disengage operator.

7

Back wind spring until the taut cable is loose. Do Not loosen set screws. Reinstall any missing rollers as door levels.

Inspect cables. Replace if needed.

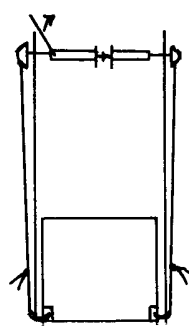
8



Insert end of cable properly into drum so it doesn't scrape headplate. (Compare with other drum.) Reinstall cable on groves of drum.

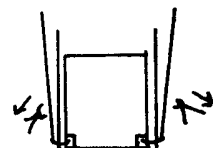
Keep fingers on outside of cable! Vise-grip cable to keep on drum.

9



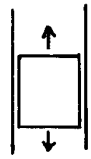
Wind up on spring until both cables are taut.

10



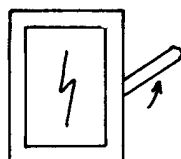
Remove all vise grips.

11



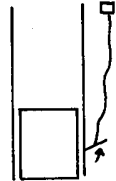
Check manual operation of door.

12



Turn on Power

13

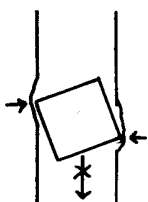


Reengage operator and check electrical operation of door.

14

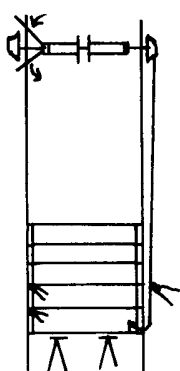
Work Complete.
Put away your tools and take a coffee break.

15



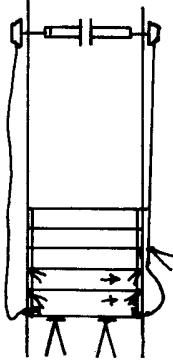
Procedure for reinstalling cables if door can't be closed without damaging tracks.

17



Backwind springs until door is level.

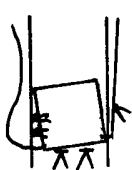
18



Vise-grip tracks under rollers on other side.

Backwind spring until taut cable is loose.

16



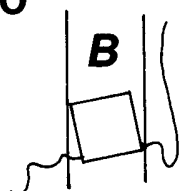
Support door with horses, fork lift or vise grips under rollers on lower side only.

Vise grip taut cable.

19

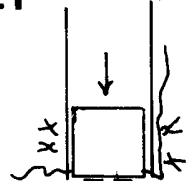
Follow steps 8 - 14 above to complete job.

20



Procedure for reinstalling cables if both cables are off or loose.

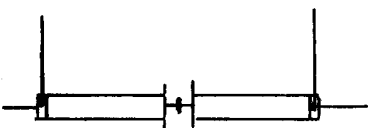
21



Remove any vise-grips.

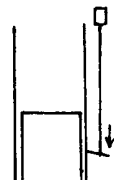
Lower door with fork lift.

22



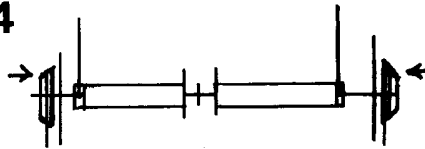
Check springs for tension. If still wound, bar off springs by inserting bars & loosening set screws.

23

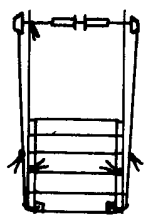
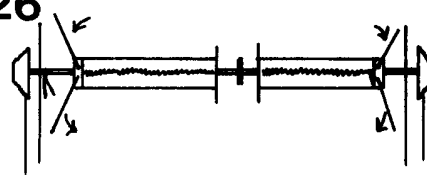
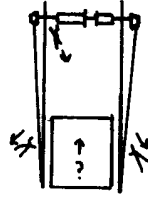


Disengage operator.

24



Inspect & replace cables if frayed. Reinstall cables on drums so ends don't scrape on headplates.

<p>25</p>  <p>Vise-grip cables & shaft just inside head-plate to keep cables on drums.</p> <p>Vise-grip tracks on both sides above 3rd. rollers.</p>	<p>26</p>  <p>Mark & rewind both springs.</p>	<p>27</p>  <p>Remove vise grips carefully in case springs are wound too tight.</p>
	<p>28 Adjust spring tension 1/4 turn at a time if:</p> <ol style="list-style-type: none"> 1. Door is heavy at floor & at head. Add tension. 2. Door is light & goes up by itself. Remove tension. 	<p>29 Follow steps 11 - 14 on Page 2 to complete job.</p>